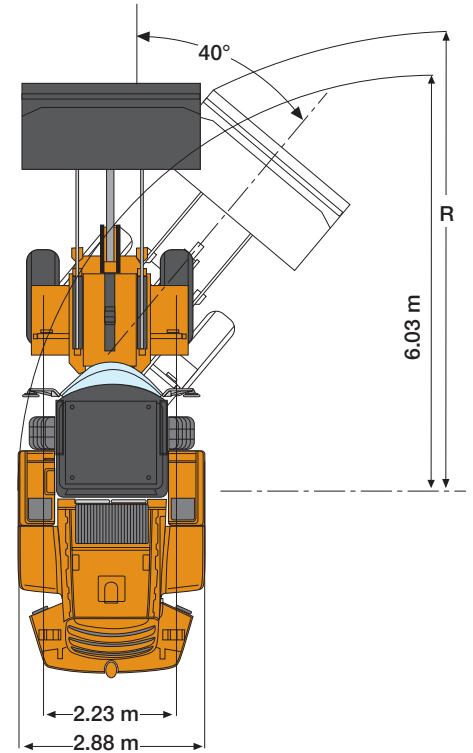
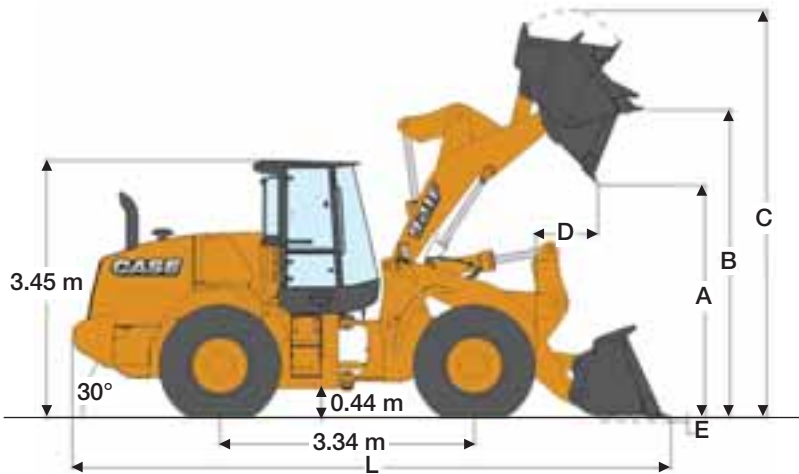


# F-SERIES WHEEL LOADERS

## 921F GENERAL DIMENSIONS



### LOADER SPEED

Raising time (loaded)	6.2 sec
Dump time (loaded)	1.4 sec
Lowering time (empty, power down)	3.8 sec
Lowering time (empty, float down)	3.1 sec

921F		Z-BAR bucket 4.0 m <sup>3</sup>		XR bucket 4.0 m <sup>3</sup>		
		edge	teeth	edge	teeth	
	Volume, heaped (SAE)	m <sup>3</sup>	4.0	3.8	4.0	3.8
	Volume at 110% fill factor	m <sup>3</sup>	4.4	4.2	4.4	4.2
	Bucket Payload	kg	7205	7245	5695	5735
	Maximum material density	tonnes/m <sup>3</sup>	1.8	1.9	1.4	1.5
	Bucket outside width	m	2.98	2.98	2.98	2.98
	Bucket weight	kg	1922	1807	1922	1807
	Tipping load - straight	kg	16765	16867	13361	13463
	Tipping load - Articulated at 40°	kg	14409	14491	11389	11471
	Breakout force	kg	17738	18886	18061	19209
	Lift capacity from ground	kg	21587	21735	16739	16887
	A - Dump height at 45° at full height	m	2.86	2.86	3.22	3.22
	B - Hinge pin height	m	4.12	4.12	4.56	4.56
	C - Overall height	m	5.71	5.71	6.15	6.15
	D - Bucket reach at full height	m	1.05	1.16	1.19	1.3
	E - Dig depth	cm	7	7	14	14
	L - Overall length with bucket on the ground	m	7.92	8.07	8.41	8.56
	Overall length without bucket	m	6.78	6.78	7.24	7.24
	R - Turning radius to front corner of the bucket	m	6.6	6.7	6.6	6.7
	Bucket rollback in carry position	°	44	44	43	43
	Dump angle at full height	°	50	50	44	44
	Machine operating weight with XHA2 (L3) tyres	kg	20068	19953	20210	20095
	Machine operating weight with VSDL (L5) tyres	kg	20966	20851	21108	20993