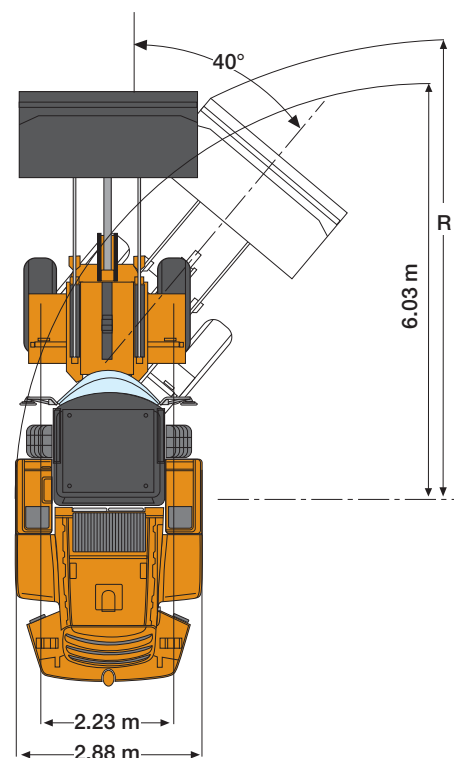
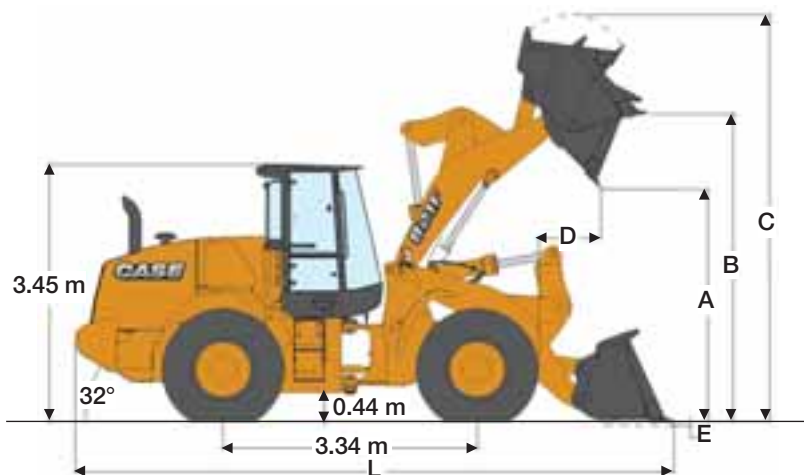


821F GENERAL DIMENSIONS



LOADER SPEED

Raising time (loaded)	6.2 sec
Dump time (loaded)	1.2 sec
Lowering time (empty, power down)	2.9 sec
Lowering time (empty, float down)	2.5 sec

821F		Z-bar bucket				XR bucket			
		3.4 m ³		3.2 m ³		3.2 m ³		2.8 m ³	
		edge	teeth	edge	teeth	edge	teeth	edge	teeth
Volume, heaped (SAE)	m ³	3.4	3.2	3.2	3.1	3.2	3.1	2.8	2.5
Volume at 110% fill factor	m ³	3.7	3.5	3.5	3.4	3.5	3.4	3.1	2.7
Bucket Payload	kg	6146	6268	6184	6295	4878	4970	4968	5123
Maximum material density	tonnes/m ³	1.80	1.94	1.93	2.03	1.53	1.60	1.77	2.05
Bucket outside width	m	2.95	2.95	2.94	2.94	2.95	2.94	2.95	2.94
Bucket weight	kg	1550	1460	1520	1430	1520	1430	1366	1276
Tipping load - straight	kg	14203	14465	14284	14523	11366	11562	11547	11889
Tipping load - Articulated at 40°	kg	12293	12536	12367	12590	9756	9941	9936	10246
Breakout force	kg	15076	16133	15473	16676	15721	16953	18032	19496
Lift capacity from ground	kg	17976	18137	18055	18201	13725	13885	13938	14237
A - Dump height at 45° at full height	m	2.94	2.86	2.96	2.88	3.34	3.33	3.50	3.43
B - Hinge pin height	m	4.12	4.12	4.12	4.12	4.56	4.56	4.56	4.56
C - Overall height	m	5.49	5.49	5.45	5.45	5.89	5.89	5.73	5.73
D - Bucket reach at full height	m	1.17	1.13	1.15	1.27	1.26	1.38	1.14	1.26
E - Dig depth	cm	7	5	7	5	14	11	14	11
L - Overall length with bucket on the ground	m	7.94	8.06	7.90	8.03	8.39	8.52	8.23	8.35
Overall length without bucket	m	6.78	6.78	6.78	6.78	7.24	7.24	7.24	7.24
R - Turning radius to front corner of the bucket	m	6.6	6.7	6.6	6.6	6.9	6.9	6.8	6.8
Bucket rollback in carry position	°	44	44	44	44	43	43	43	43
Dump angle at full height	°	55	55	55	55	49	49	49	49
Machine operating weight with XHA2 (L3) tyres	kg	17694	17604	17664	17574	18046	17956	17892	17802
Machine operating weight with VSDL (L5) tyres	kg	18592	18502	18562	18472	18944	18854	18790	18700