

SKID STEER LOADERS SPEC SHEET



SPECIFICATIONS

	SR175	SV185	SR200
Rated operating capacity 50% (kg) _____	790	840	905
ROC with counterweights 50% (kg) _____	835	885	950
Tipping load (kg) _____	1588	1678	1814
Lift cylinder breakout force (kN) _____	21.3	12.2	27.3
Bucket cylinder breakout force (kN) _____	31.8	24.2	31.8
Boom geometry _____	Radial	Vertical	Radial

ENGINE

	SR175	SV185	SR200
Engine model _____	ISM	ISM	FPT F5C
Emission level _____	Tier 3	Tier 3	Tier 3
Displacement (l) _____	2.2	2.2	3.2
Horsepower (hp) _____	60	60	74
(@ rpm) _____	2900	2900	2500
Peak torque (Nm) _____	171	171	275
(@ rpm) _____	1800	1800	1400
Aspiration type _____	Turbo	Turbo	Turbo

TRAVEL SPEED

	SR175	SV185	SR200
Low range (km/h) _____	11.9	11.9	11.6
High range (optional) (km/h) _____	18.5	18.5	19.2

HYDRAULIC SYSTEM

	SR175	SV185	SR200
Pump flow (lpm) _____	72	72	85
Optional high flow (lpm) _____	108	108	116
Relief pressure (bar) _____	207	207	207

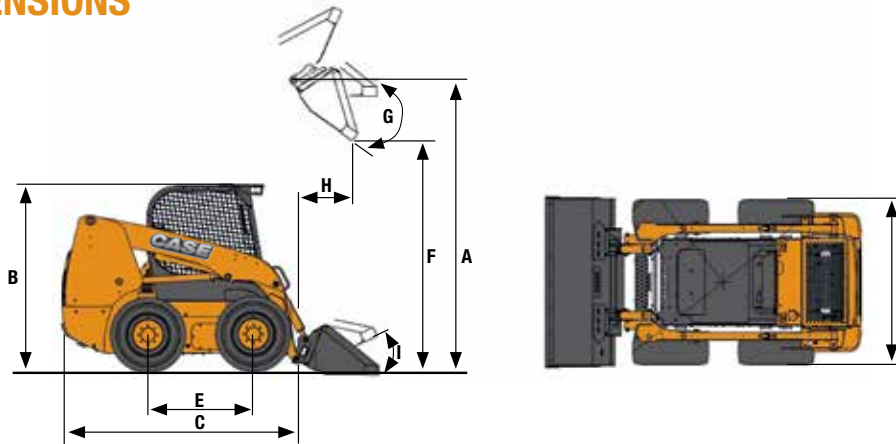
WEIGHTS

	SR175	SV185	SR200
Operating weight (kg) _____	2812	2950	3130
Shipping weight (kg) _____	2675	2810	2995

SERVICE CAPACITY

	SR175	SV185	SR200
Fuel tank (l) _____	75.5	75.5	75.5

GENERAL DIMENSIONS



		SR175	SV185	SR200	
A	Height to bucket hinge pin	mm	3099	3048	3124
B	Height to top of ROPS	mm	1974	1974	1998
C	Length without attachment	mm	2685	2710	2669
D	Overall width	mm	1678	1678	1755
E	Wheelbase	mm	1128	1128	1128
F	Dump height *	mm	2470	2377	2495
G	Dump angle	°	40	52	40
H	Dump reach @ max height	mm	542	783	517
I	Rollback angle (bucket on ground)	°	32	35	31

* With D&F Bucket

MANY ATTACHMENTS MEAN MANY BUSINESS OPPORTUNITIES



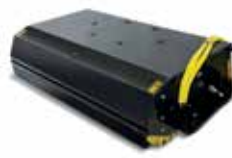
BUCKETS

Tailor made bucket for a wide range of applications



PLANERS

Wide offering of asphalt planers



BROOM BUCKET

Efficient surfaces sweeping



HAMMERS

For concrete demolition, Trenching and general excavation work



AUGERS

For easy boring of holes in the ground

Check complete list of available attachments on the Parts & Service attachments catalogue

